

Technical data sheet



Product features

Electric pasta cooker 8 l tabletop - 3x basket 230 V

Model	SAP Code	00015111
--------------	-----------------	----------

- Basin volume [l]: 8
- Material: AISI 430
- Protection of controls: IPX4
- Maximum device temperature [°C]: 110
- Number of baskets: 3

SAP Code	00015111	Power electric [kW]	3.400
Net Width [mm]	270	Loading	230 V / 1N - 50 Hz
Net Depth [mm]	420	Basin volume [l]	8
Net Height [mm]	370	Number of baskets	3
Net Weight [kg]	8.00		

Technical data sheet



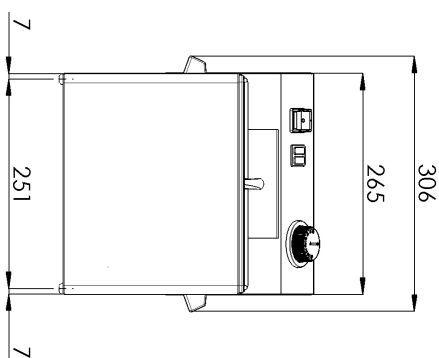
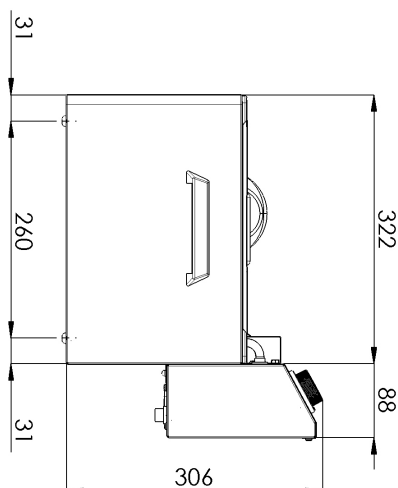
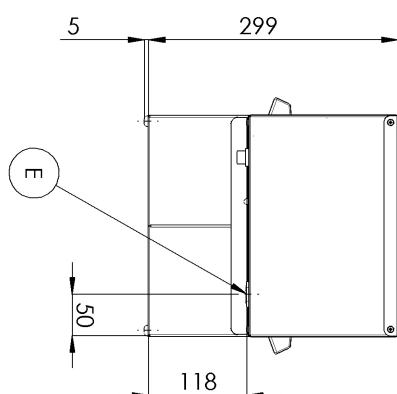
Technical drawing

Electric pasta cooker 8 l tabletop - 3x basket 230 V

Model

SAP Code

00015111



Technical data sheet



Technical parameters

Electric pasta cooker 8 l tabletop - 3x basket 230 V

Model	SAP Code	00015111
--------------	-----------------	----------

1. SAP Code:

00015111

2. Net Width [mm]:

270

3. Net Depth [mm]:

420

4. Net Height [mm]:

370

5. Net Weight [kg]:

8.00

6. Gross Width [mm]:

310

7. Gross depth [mm]:

515

8. Gross Height [mm]:

440

9. Gross Weight [kg]:

9.00

10. Device type:

Electric unit

11. Construction type of device:

Table top

12. Power electric [kW]:

3.400

13. Loading:

230 V / 1N - 50 Hz

14. Protection of controls:

IPX4

15. Exterior color of the device:

Stainless steel

16. Material:

AISI 430

17. Indicators:

operation and warm-up

18. Standard equipment for device:

3x basket

19. Basin volume [l]:

8

20. Volume capacity of the container [l]:

8.00

21. Maximum device temperature [°C]:

110

22. Minimum device temperature [°C]:

30

23. Safety thermostat up to x ° C:

130

24. Additional information:

Baskets are not part of the delivery - can be purchased additionally

25. Number of baskets:

3

26. False bottom:

Yes

27. Number of basins:

1

28. Heating location:

Inside the tank

Technical data sheet



Technical parameters

Electric pasta cooker 8 l tabletop - 3x basket 230 V

Model

SAP Code

00015111

29. Cross-section of conductors CU [mm²]:

1

– Výkon (kW): 3,7-5 (230 V); 6,4-8,7 (400 V)